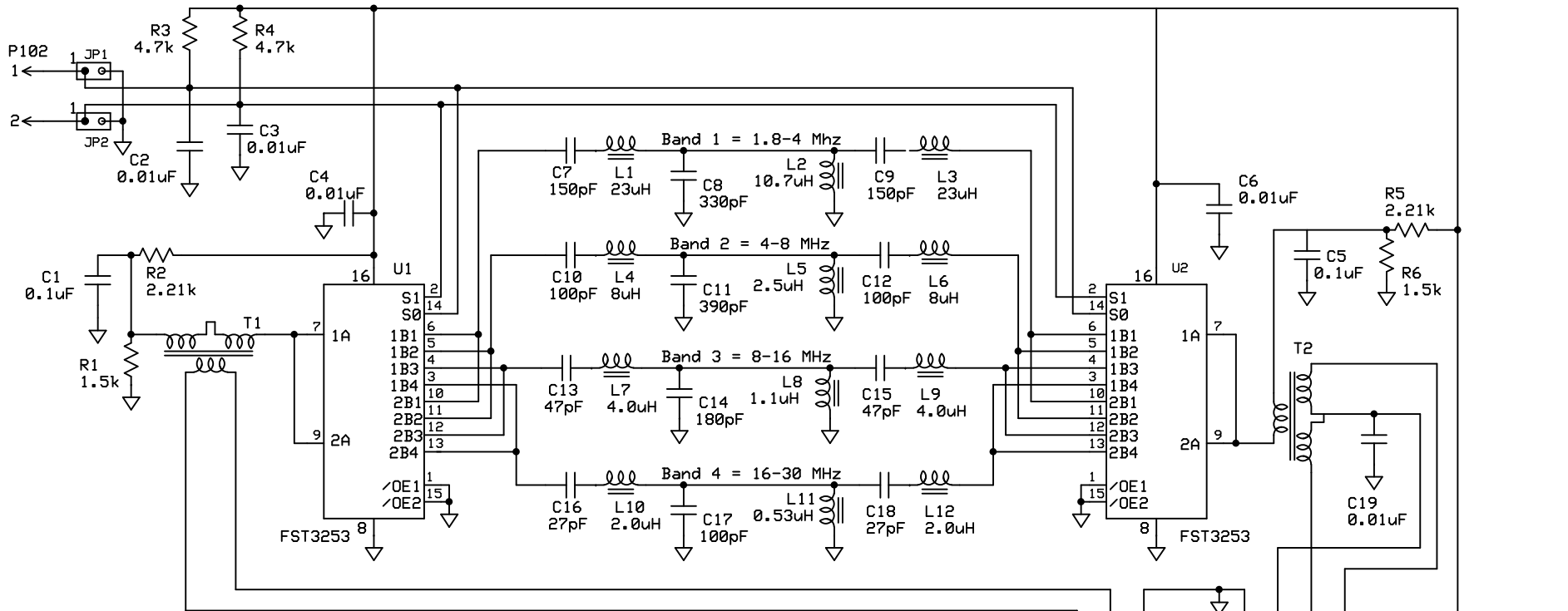


SOFTROCK V9 GENERAL COVERAGE PRESELECTORS 1.8 MHz - 30 MHz

Band 1 = 1.8 - 4 Mhz
 Band 2 = 4 - 8 MHz
 Band 3 = 8 - 16 MHz
 Band 4 = 16 - 30 MHz



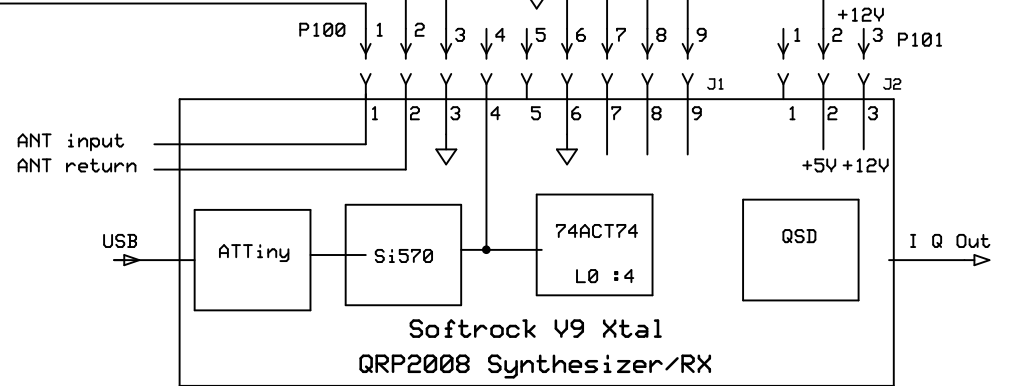
T1 4T #30 AWG trifilar on BN43-2402
 T2 Primary 8T #30 AWG on BN43-2402
 T2 Secondary 2T #30 AWG bifilar over Prim

L1/L3 73T #30 AWG, 39 inches, on T30-2 core
 L2 50T #30 AWG, 28 inches, on T30-2 core

L4/L6 49T #30 AWG, 22 inches, on T25-2 core
 L5 27T #30 AWG, 14 inches, on T25-2 core

L7/L9 38T #30 AWG, 18 inches, on T25-6 core
 L8 20T #30 AWG, 11 inches, on T25-6 core

L10/L12 27T #30 AWG, 16 inches, on T25-6 core
 L11 14T #30 AWG, 10 inches, on T25-6 core



QRP2000 DESIGN TEAM © 2008 QRP2000 Design

Softrock V9 BPF Daughter Board

Jan G0BBL

V1.1

11/02/2008

Page 1 of 1