

50-54 MHz 6M Band Coverage

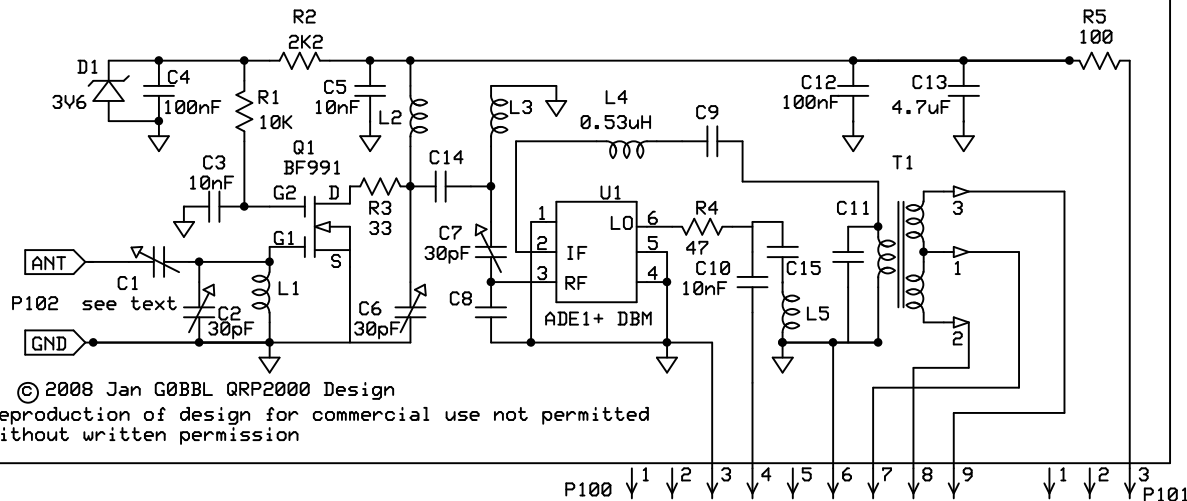
L1, L2, L3 = 0.35uH 10t #26 AWG on T30-6 Yellow
 L4 = 17t #30 AWG on T25-6 Yellow Core
 T1 = T25-6 (yellow core) Primary 14T #30 AWG
 Secondary 2x7T bifiliar #30 AWG
 C1 = 20pF Trimmer Capacitor
 C9 = 180pF
 C11 = 220pF
 C14 = 2.7pF C8 = 150pF
 C5 and L5 Not used

144-148 MHz Coverage

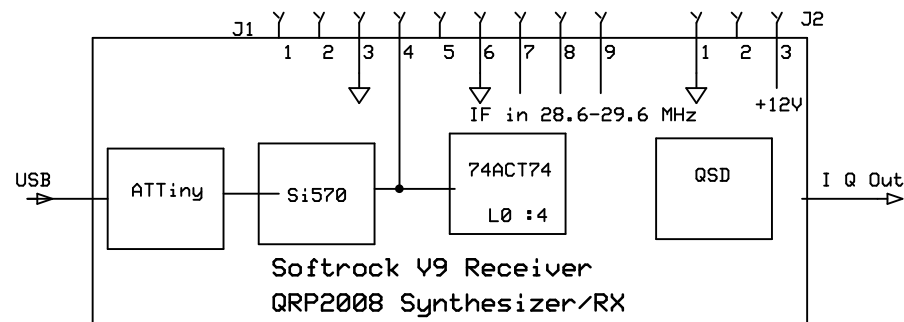
L1 = 80nH 6t #26 AWG on T25-12 Green Core
 L2, L3 = 60nH 5t #26 AWG on T25-12 Green Core
 L4 = 14t #30 AWG on T25-6 Yellow Core
 T1 = T25-6 (yellow core) Primary 7T #30 AWG
 Secondary 2x4T bifiliar #30 AWG
 C1 = 10pF Trimmer Capacitor
 C9 = 82pF
 C11 = 270pF
 C14 = 1.2pF C8 = 100pF
 C5 and L5 Not used

50 - 54 MHz Band Tuning (:3) IF = 16.6 MHz- 18 MHz
 70 - 74 MHz Band Tuning (:3) IF = 23.333 - 24.667 MHz
 135 - 138 MHz Band Tuning (:5) IF = 27.0 MHz - 27.6 MHz
 144 - 148 MHz Band Tuning (:5) IF = 28.8 MHz - 29.6 MHz
 220 - 230 MHz Band Tuning (:11) IF = 20.0 Mhz - 20.9 MHz
 430 - 450 MHz Band Tuning (:13) IF = 33.07 Mhz - 34.6 MHz

VHF - UHF Dual Conversion SDR Receiver with single Local Oscillator (Si570 Synthesizer)



© 2008 Jan G0BBL QRP2000 Design
 Reproduction of design for commercial use not permitted
 without written permission



- V1.0 - 27/8/2008 Original
- V1.1 - 4/9/2008 Coverage Options
- V1.2 - 25/9/2008 BF991 device - T30-12 toroid
- V1.3 - 29/9/2008 C11 = 220pF - ADE1+ mixer
- V1.3 - 29/9/2008 C2, C6, C7, C8 30pF trimmer
- V1.4 - 29/9/2008 Schematic and PCB layout matched
- V1.5 - 15/10/2008 L1, R5 and C14 changed
- V1.6 - 20/10/2008 50 MHz data added

QRP2000 DESIGN TEAM © 2008 QRP2000 Design

Softrock 144 MHz VHF Converter

Jan G0BBL (QRP2000) V1.6
 Tony KB9YIG (PCB) 20/10/2008